

A

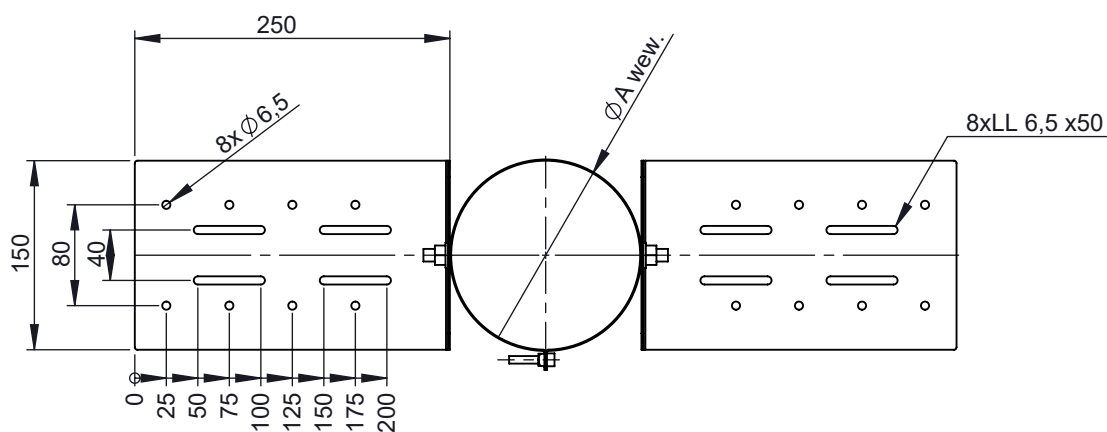
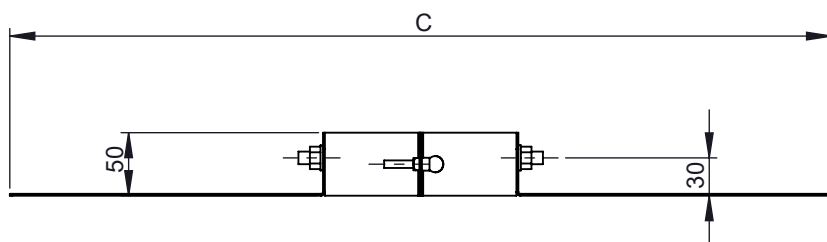
B

C

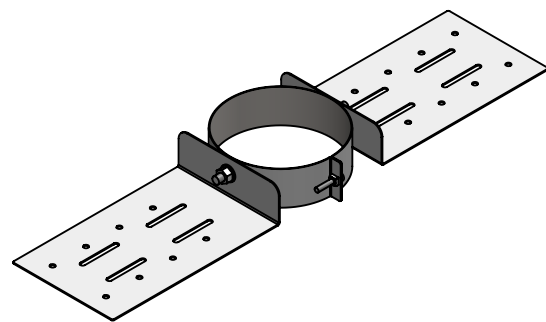
D

E

F



1:8 (150)



Ø	130	150	180	200	230	250	300	350
A	130	150	180	200	230	250	300	350
C	632	652	682	702	732	752	802	852
kg	1,2	1,3		1,4		1,5		

notes:

DIN ISO 13920 Tolerances B

revisions-no.

	date	name
drawn by	13.01.20	JMA
checked by	13.01.20	SWA
approved by	13.01.20	JWY
modified by		

Jeremias[®]
CHIMNEY SYSTEMS

description Wspornik krokwiowy

code ZUAC2544

drawing-no. 07-05-0416-000

scale

1:4

format

A4

sheet

1 of 1

