

A

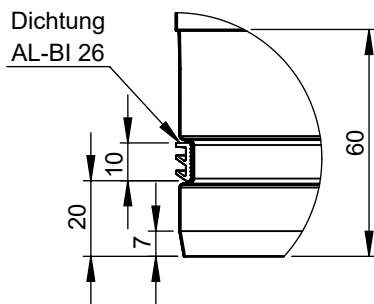
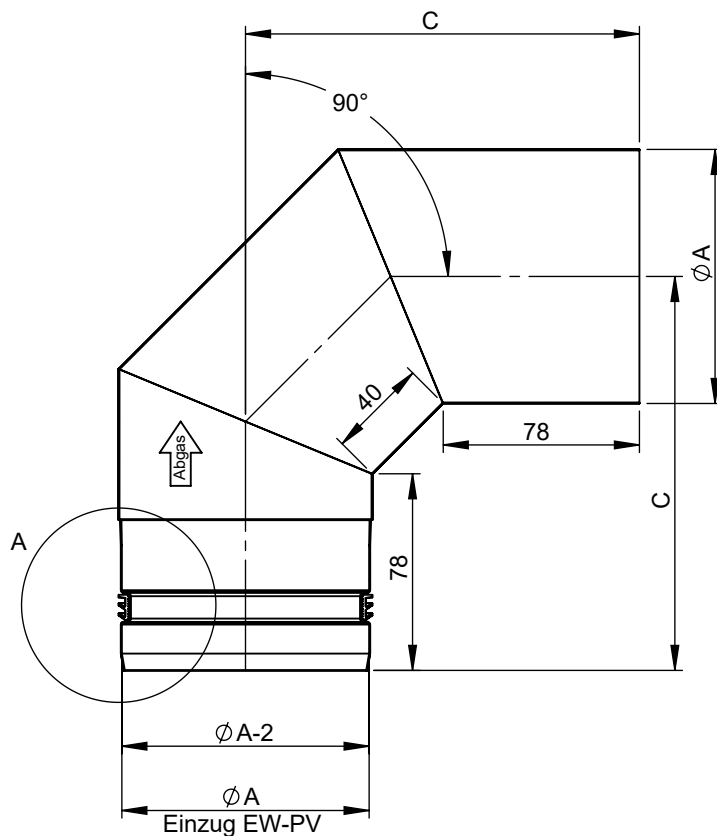
B

C

D

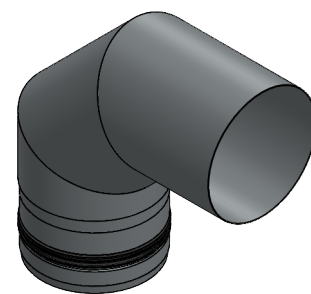
E

F





A (1 : 2)

M 1:5 (Ø100)

**Oberfläche X:****15-Hitzebeständige Silikonfarbe Schwarz 702.284****25-Hitzebeständige Silikonfarbe Gussgrau 702.288**

Ø	080	100
A	80	100
C	146	156
t	0,4	
kg	0,23	0,29

material: inside/outside	surface: inside/outside	DIN ISO 13920 Tolerances B			 Jeremias [®] CHIMNEY SYSTEMS	scale
1.4404 (316L)	2R (3D)	revisions-no. A3	mm / kg			1:3
notes:		date	name		description Winkel 90° starr	format
		drawn by	KAB			A4
		checked by				sheet
		approved by				1 of 1
		modified by			code	
					X-EWPV060	
					drawing-no.	
					06-21-6250-000	