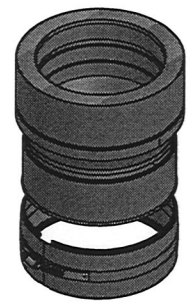
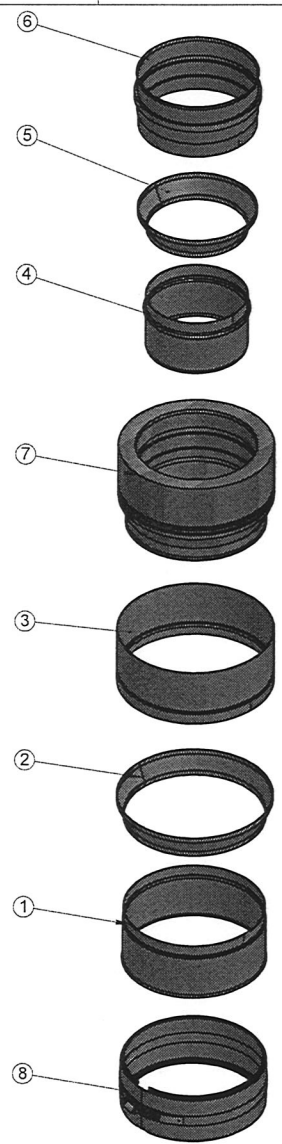
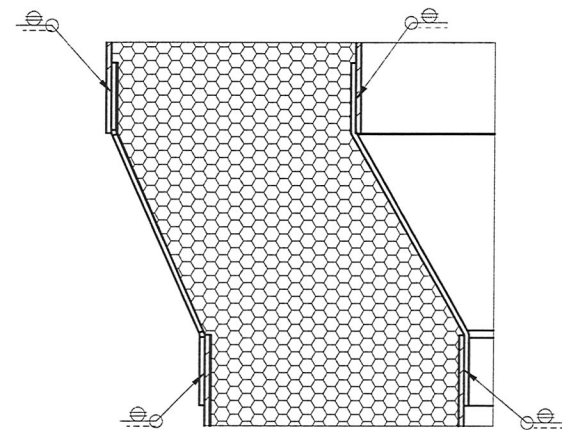


© Jeremias GmbH. All rights reserved, also regarding any disposal, exploitation, as well as in the event of applications for industrial property rights.



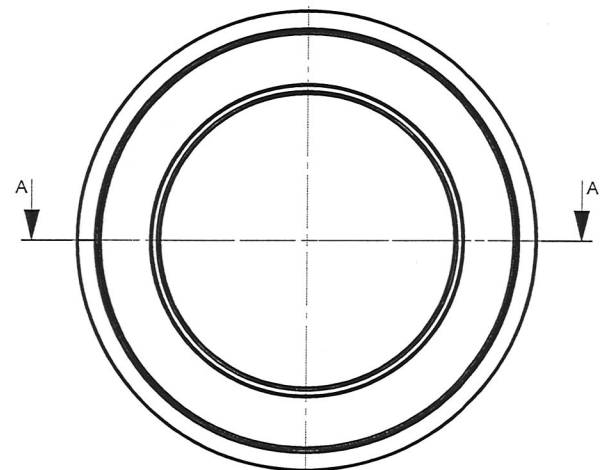
SZCZEGÓŁ B
SKALA 2 : 1



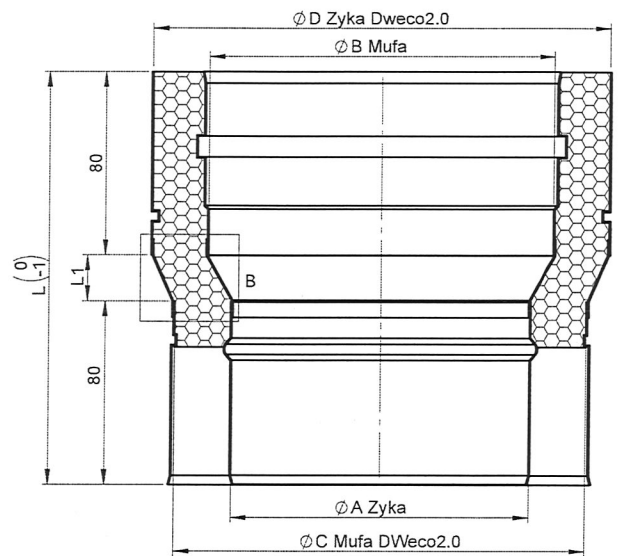
$$L1 = (\phi B - \phi A) / 2$$

$$L1 \geq 20$$

$$L = 80 + 80 + L1$$



PRZEKRÓJ A-A
SKALA 1 : 2.2



8	Obejma	DWeco2.0989 \phi A	-	1	
7	ISO	welna mineralna 120kg/m3	-	1	
6	DWI Mufa	1.4404 IIIC	0,5	1	
5	DWI Stożek	1.4404 IIIC	0,5	1	
4	DWI Zyka	1.4404 IIIC	0,5	1	
3	DWA Zyka	1.4301 IIID	0,5	1	
2	DWA Stożek	1.4301 IIID	0,5	1	
1	DWA Mufa	1.4301 IIID	0,5	1	
NO	NAME / DIN	NAV	MATERIAL	THICKNESS	QTY

Jeremias CHIMNEY SYSTEMS <small>All dimensions without tolerances are produced according to Jeremias internal tolerances.</small> All rights reserved	Material		Description		Weight
	/		Rozszerzenie		
	drawn by	Date	Name	Code	Format
	checked by	2016-09-20	MSA	215-DWECO E \phi A \phi B	
	checked by	2016-09-20	PSA	Production code	Sheet
checked by			Project		
approved by	2016-09-20	JWY	Drawing no.	Revision	Type
			216 - 1554 - 00 - 2P		