

A

B

C

D

E

F

A

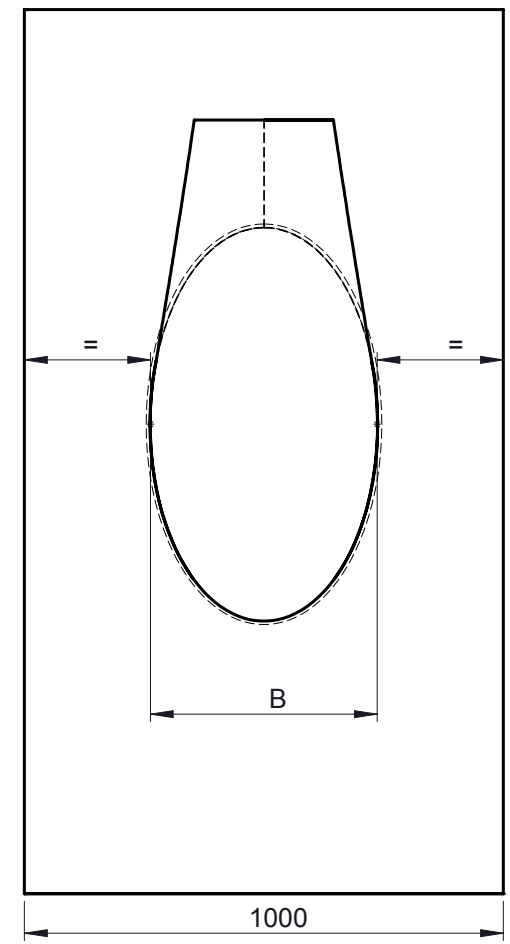
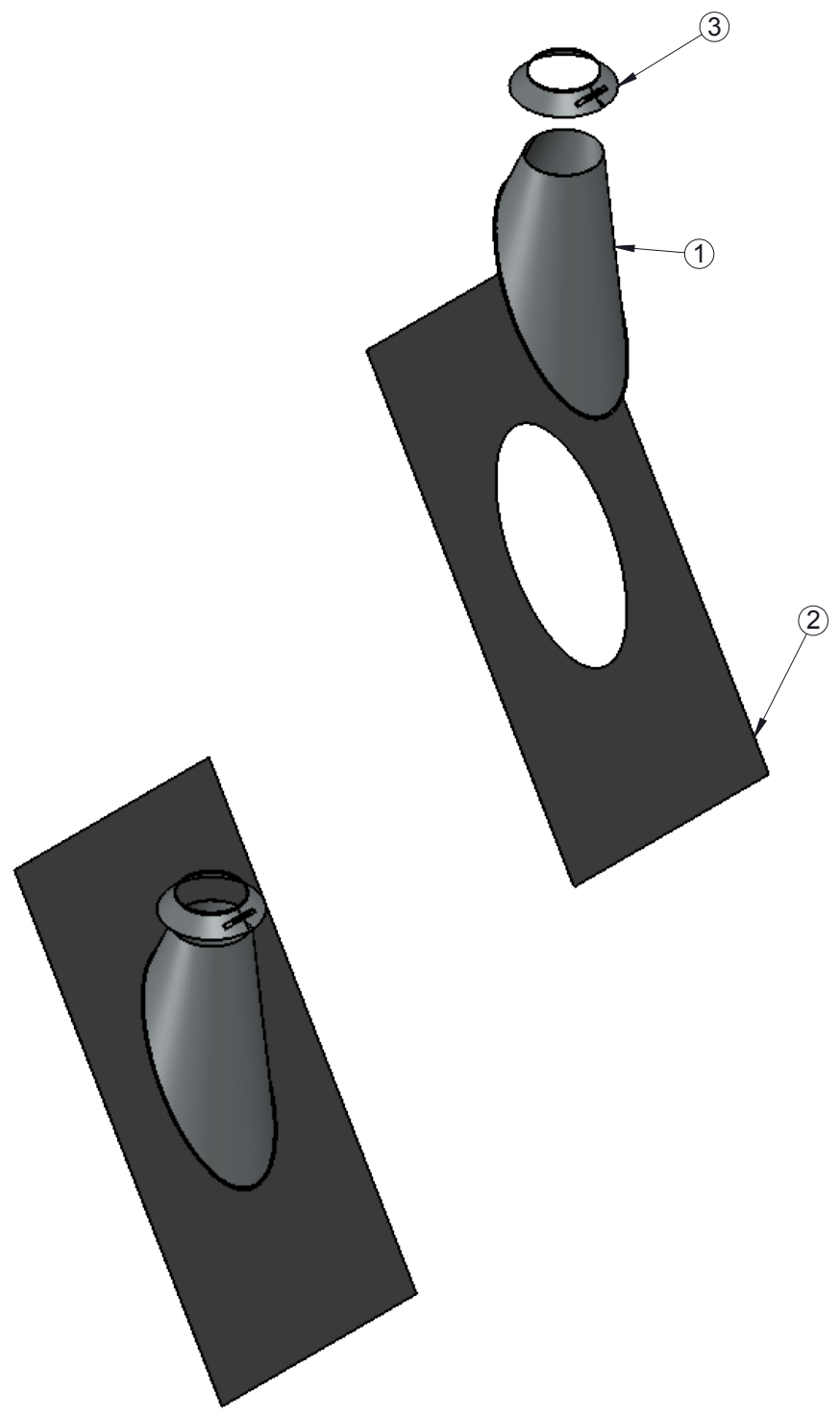
B

C

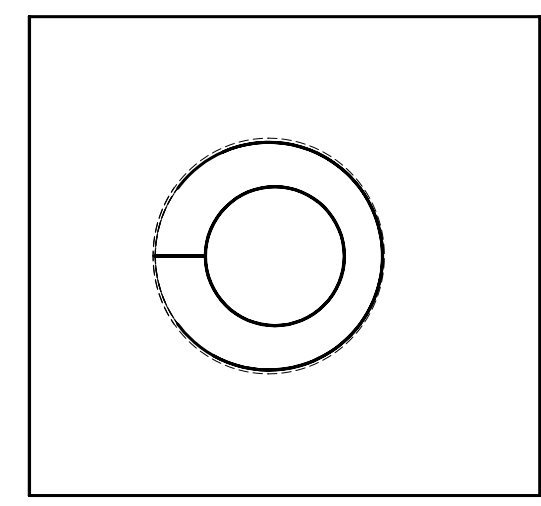
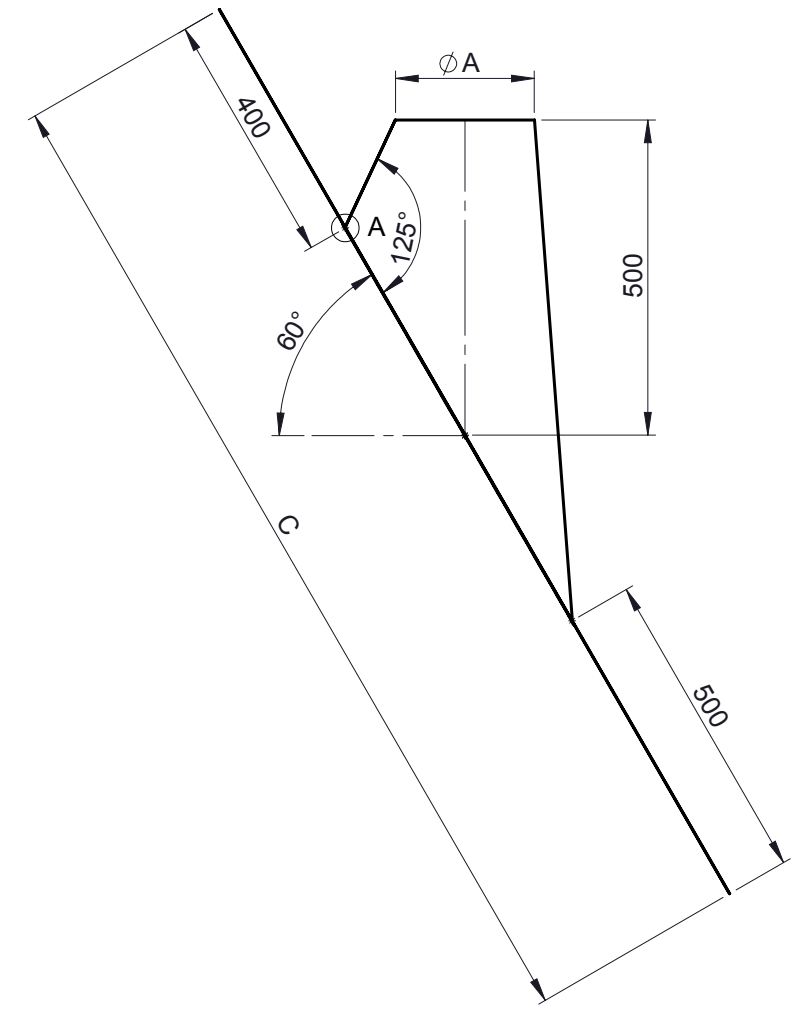
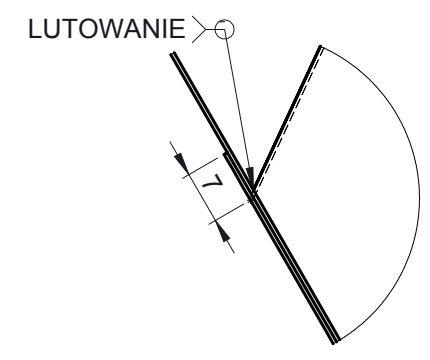
D

E

F



SZCZEGÓŁ A
SKALA 1 : 1



ϕ	080	100	130	150	180	200	250	300	350
A	150	170	200	220	250	270	320	370	420
B	290	310	340	360	390	410	460	510	560
C	1480	1520	1580	1620	1680	1720	1820	1920	2020

3	Kolnierz z rantem	DWECO307 ϕ	-		0.26	1
2	plyta		Pb	1,0	5.64	1
1	stożek		1.4301 IIID	0,5	1.86	1
NO	NAME / DIN	NAV	MATERIAL	THICKNESS	WEIGHT [kg]	QTY



Material inside/outside /	Description		Weight	
	Przejście dachowe H=500 ką 41-60°			
	drawn by	Date	Name	Format
	checked by	2017-05-12	MFL	
	checked by	2017-05-12	PSA	Sheet
checked by				
approved by	2017-05-12	JWY	1 of 1	

All dimensions without tolerances are produced according to Jeremias internal tolerances
All rights reserved

Drawing no. 217 - 0693 - 00 - 2P | Revision | Type |