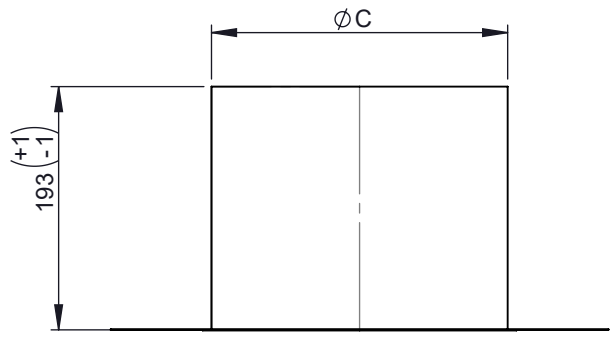
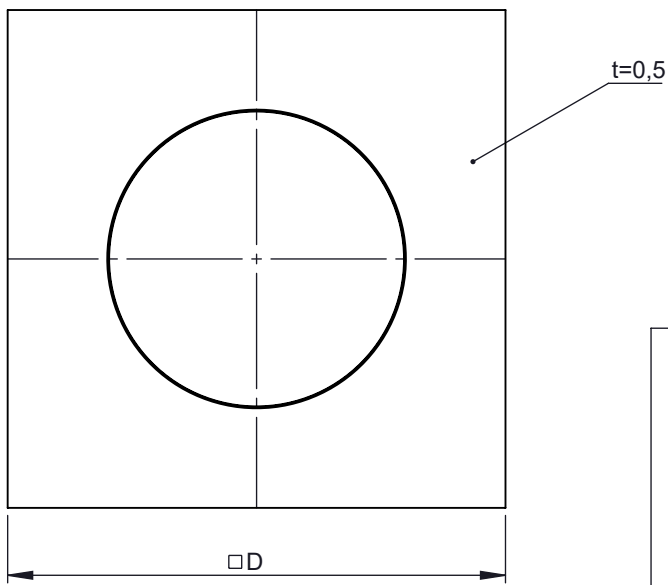


A

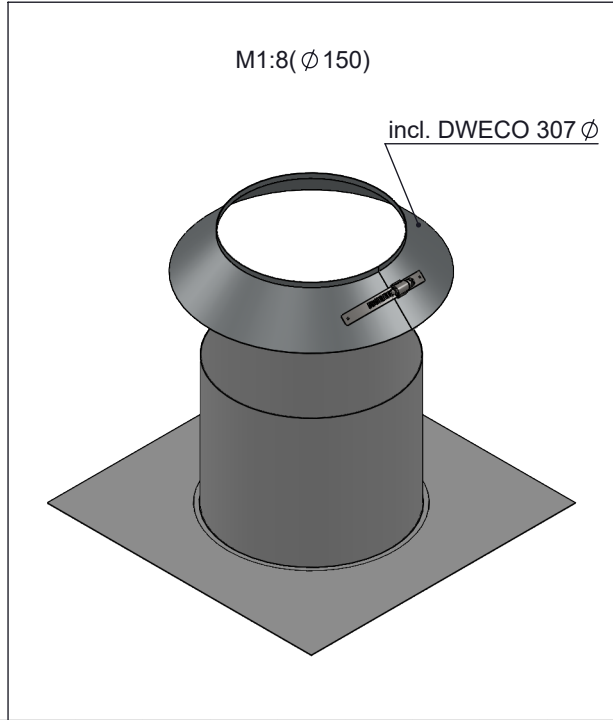


B

C





D



E

\varnothing	080	100	110	115	120	130	140	150	160	180	200	225	250	300	350	400	450	500	550	600
C	165	185	195	200	205	215	225	235	245	265	285	310	335	385	435	485	535	585	635	685
D	325	345	355	360	365	375	385	395	405	425	445	470	495	545	595	645	695	745	795	845
Kg	0,8	0,88	0,92	0,94	0,96	1,0	1,05	1,09	1,13	1,21	1,3	1,4	1,51	1,73	1,95	2,18	2,41	2,64	2,88	3,12

F

notes:	DIN ISO 13920 Tolerances B			 Jeremias [®] CHIMNEY SYSTEMS	scale
	revisions-no.				1:5
	date	name		description	format
	drawn by	JAD			A4
	checked by	SWA			sheet
	approved by	JWY			
modified by			code		
			drawing-no.		
			DWECO483/1Ø		
			02-35-5409-000		