

A

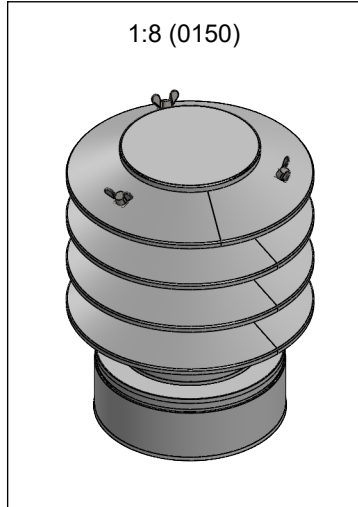
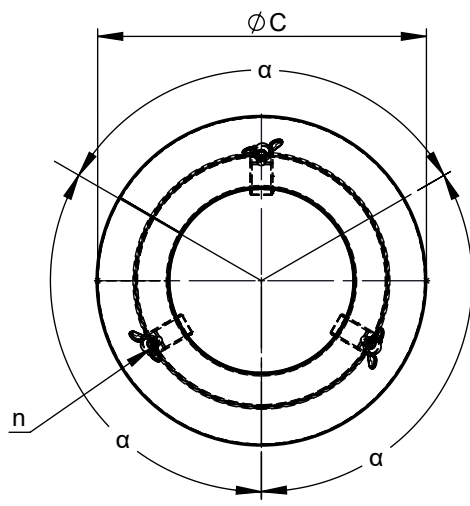
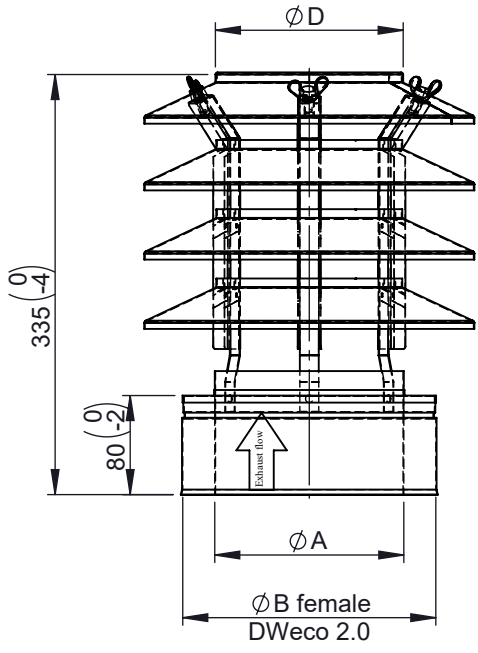
B

C

D

E

F



Ø	0080	0100	0115	0120	0130	0140	0150	0160	0180	0200	0225	0250	0300	0350	0400	0450	0500	0550	0600
A	75	95	110	115	125	135	145	155	175	195	220	245	295	345	395	445	495	545	545
B	130	150	165	170	180	190	200	210	230	250	275	300	350	400	450	500	550	600	650
C	195	215	230	235	245	255	265	275	295	315	340	365	415	465	515	565	615	665	715
D	95	115	130	135	145	155	165	175	195	215	240	265	315	365	415	465	515	565	615
n	4																5	6	
α	120°																72°	60°	
kg	1,10	1,26	1,38	1,43	1,51	1,59	1,62	1,76	1,94	2,12	2,38	3,10	4,59	5,33	6,09	6,87	7,68	8,51	9,36

notes:
ENCD

DIN ISO 13920 Tolerances B	
revisions-no. A0	mm / kg
date	name
drawn by 06.11.19	JMA
checked by 06.11.19	SWA
approved by 06.11.19	JWY
modified by	

Jeremias[®]
CHIMNEY SYSTEMS

description: End cap with finned bonnet

code: 215-DWECO337

drawing-no.: 02-35-5056-000

scale	1:6
format	A4
sheet	1 of 1