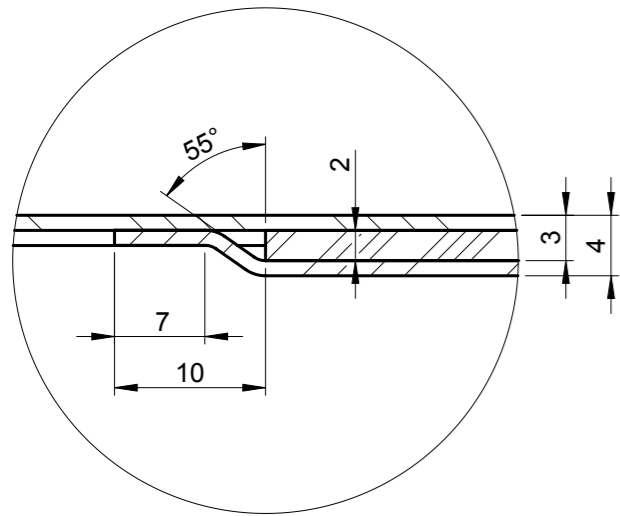


TABLE OF CORRECTIONS (LAST FIVE)					
REVISION	CORRECTION	WZT NO	DESCRIPTION	DATE	NAME
1	A	221/2015	Zmiana parametru F dla $\varnothing 300$ na podst. KT 340/15 z 435 na 475	2015-10-01	JKA

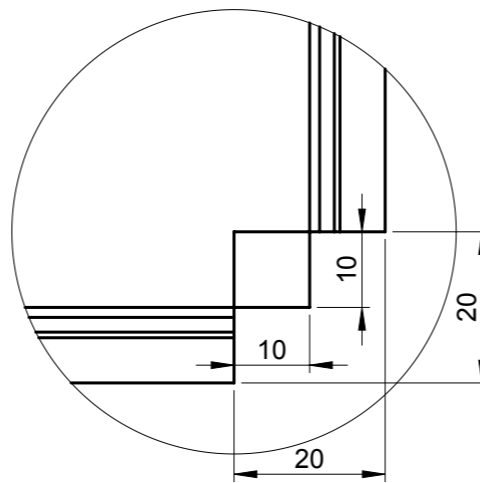
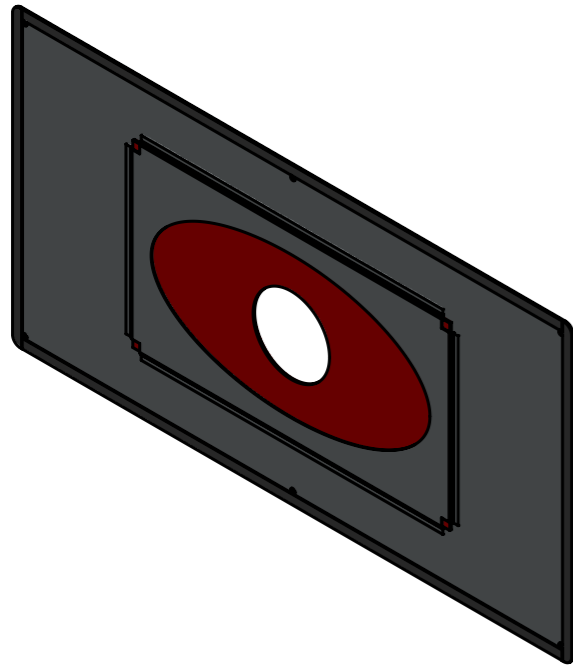
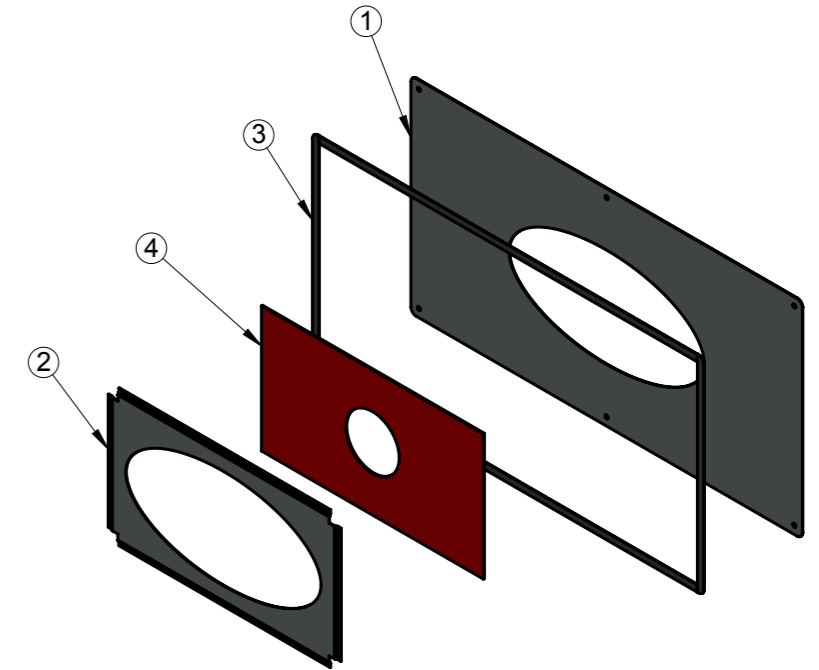
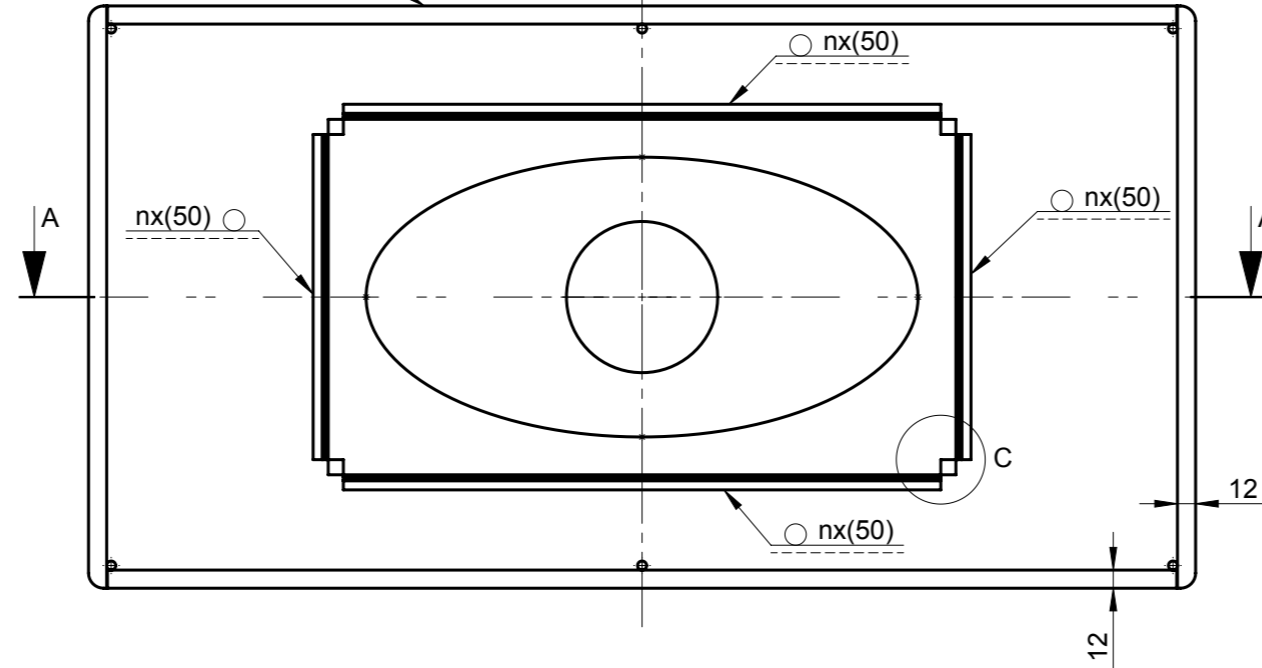


SZCZEGÓŁ B
SKALA 2 : 1

PRZEKRÓJ A-A
SKALA 1 : 5



przykleić uszczelkę (poz.3) do płyty (poz.1)

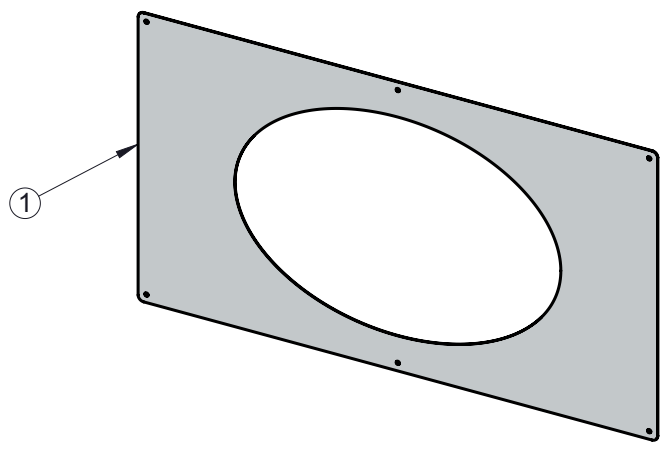
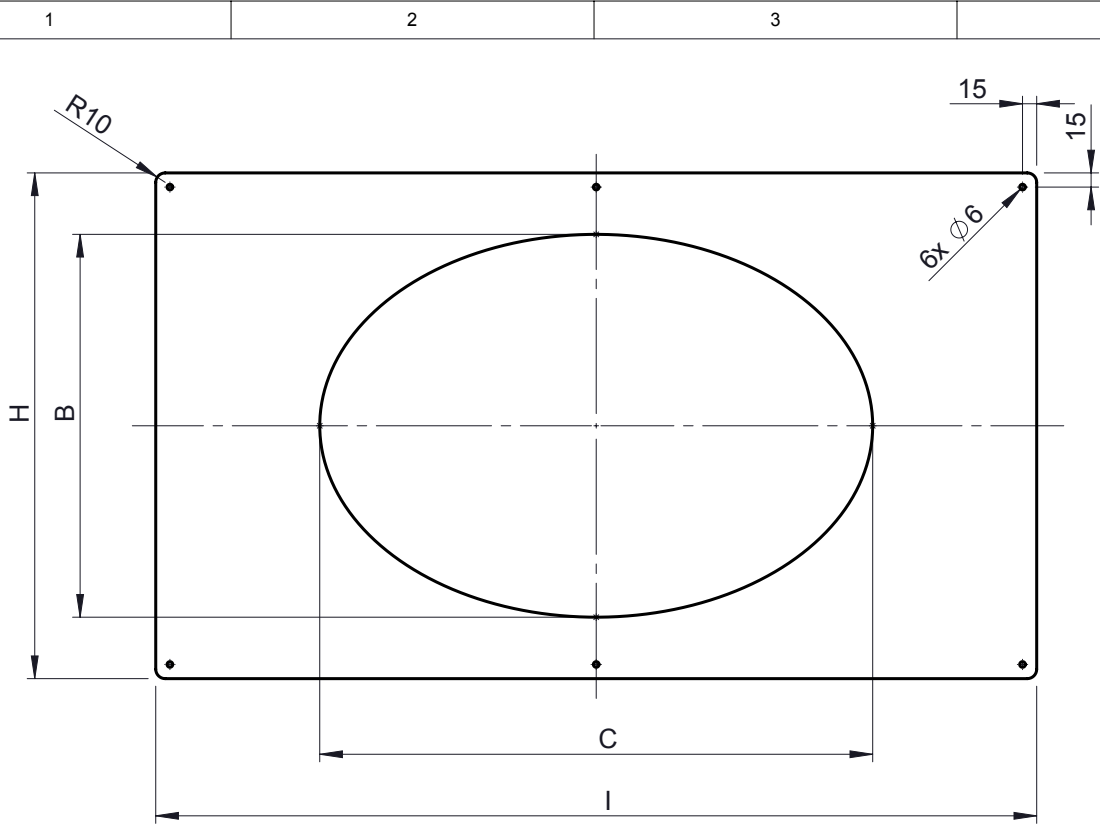


SZCZEGÓŁ C
SKALA 1 : 1

\varnothing	080	100	115	120	130	140	150	160	180	200	225	250	300
A	85	105	120	125	135	145	155	165	185	205	230	255	305
B	185	205	220	225	235	245	255	265	285	305	330	355	405
C	365	385	400	405	415	425	435	445	465	485	510	535	585
D	235	255	260	275	285	295	305	315	335	355	380	405	455
E	415	435	450	455	465	475	485	495	515	535	560	585	635
F	255	275	280	295	305	315	325	335	355	375	400	425	475
G	435	455	470	475	485	495	505	515	535	555	580	605	655
H	385						435						535
I	732						782						932
poz. 3	2217						2417						2917

	Material Inside/outside		/		Description		Panel sufitowy 41°-55° z uszczelką do izolacji		Weight		kg				
	drawn by	2015-09-09	JKA	Date		Name		Code		DWECO 1704 \varnothing		Format		A3	
	checked by	2015-09-09	PSA	checked by		checked by		Production code		Project		Sheet		1 of 4	
	checked by	2015-09-09	JWY	approved by		2015-09-09		Drawing no.		215 - 1807 - 01 - 2P		Revision		Type	

NO	NAME / DIN	NAV	MATERIAL	THICKNESS	QTY
4	Uszczelka silikonowa (ark. 4/4)	910SILIKONPLATTE	Silikon	2,0	1
3	Uszczelka Moosgummi	961MG3X12	-	3,0	1
2	osłona (ark. 3/4)		1.4509 IIID	1,0	1
1	płyta (ark. 2/4)		1.4509 IIID	1,0	1



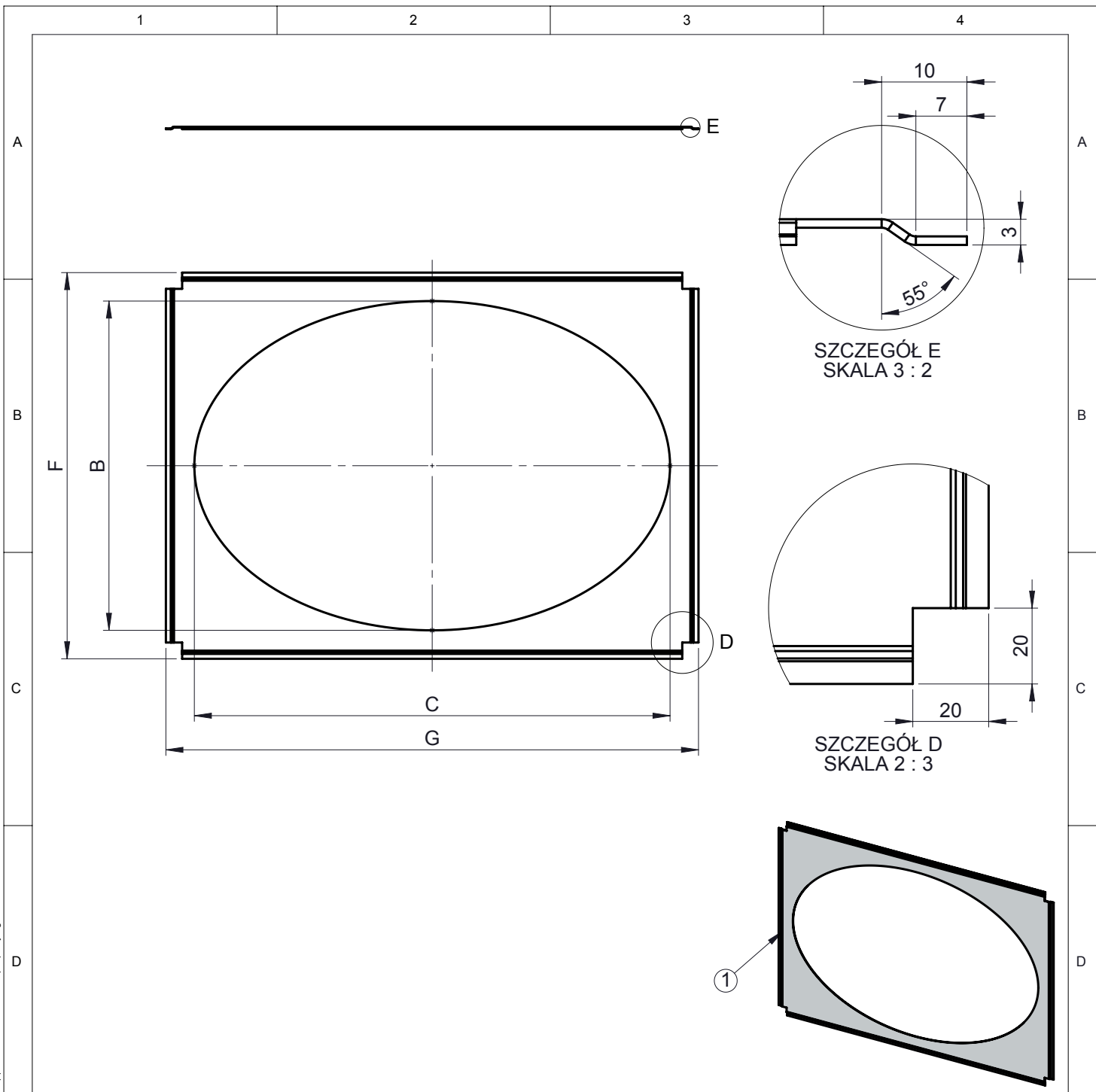
∅	80	100	115	120	130	140	150	160	180	200	225	250	300
B	185	205	220	225	235	245	255	265	285	305	330	355	405
C	365	385	400	405	415	425	435	445	465	485	510	535	585
H	385						435					535	
I	732						782					932	

1	plyta (ark. 2/4)		1.4509 IIID	1,0	1
NO	NAME / DIN	NAV	MATERIAL	THICKNESS	QTY

<p>All dimensions without tolerances are produced according to Jeremias internal tolerances</p> <p>All rights reserved</p>	Material inside/outside		/		Description		plyta (ark. 2/4)		Weight		
									kg		
	Date		Name		Code		DWEKO 1704 ∅		Format		
	drawn by		2015-09-09 JKA		Production code				A4		
	checked by		2015-09-09 PSA		Project				Sheet		
checked by				Drawing no.		215 - 1807 - 01 - 2P		Revision		Type	
checked by				approved by		2015-09-09 JWY		2 of 4			

© Jeremias GmbH. All rights reserved, also regarding any disposal, exploitation, distribution, as well as in the event of applications for industrial property rights.

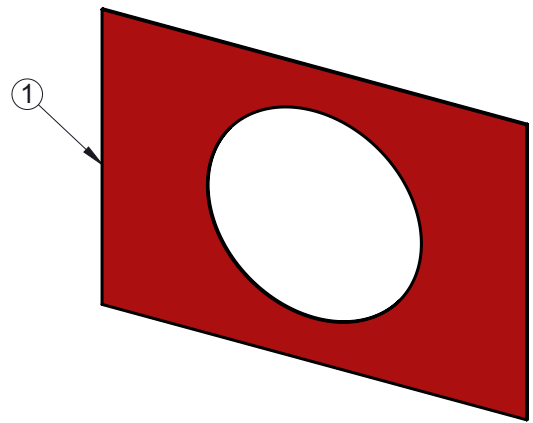
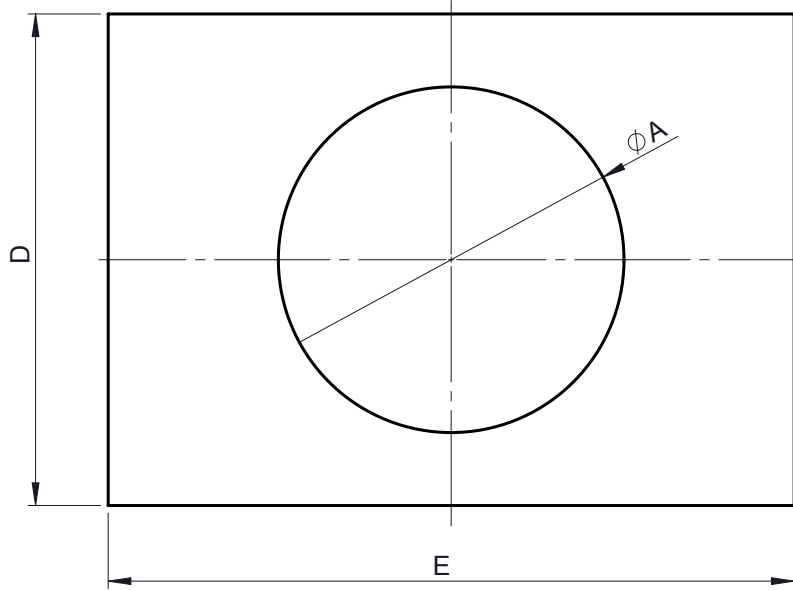
© Jeremias GmbH. All rights reserved, also regarding any disposal, exploitation, distribution, as well as in the event of applications for industrial property rights.



Ø	80	100	115	120	130	140	150	160	180	200	225	250	300
B	185	205	220	225	235	245	255	265	285	305	330	365	405
C	365	385	400	405	415	425	435	445	465	485	510	535	585
F	255	275	280	295	305	315	325	335	355	375	400	425	475
G	435	455	470	475	485	495	505	515	535	555	580	605	655

1	osłona (ark. 3/4)		1.4509 IIIID	1,0	1
NO	NAME / DIN	NAV	MATERIAL	THICKNESS	QTY

<p>All dimensions without tolerances are produced according to Jeremias internal tolerances</p> <p>All rights reserved</p>	Material inside/outside		Description		Weight
	/		osłona (ark. 3/4)		kg
	drawn by	Date	Name	Code	Format
	checked by	2015-09-09	JKA	DWECO 1704 Ø	A4
	checked by	2015-09-09	PSA	Production code	Sheet
checked by			Project	3 of 4	
approved by	2015-09-09	JWY	Drawing no. 215 - 1807	Revision 01	Type 2P



Ø	80	100	115	120	130	140	150	160	180	200	225	250	300
A	85	105	120	125	135	145	155	165	185	205	230	255	305
D	235	255	260	275	285	295	305	315	335	355	380	405	455
E	415	435	450	455	465	475	485	495	515	535	560	585	635

1	Uszczelka silikonowa (ark. 4/4)	910SILIKONPLATTE	Silikon	2,0	1
NO	NAME / DIN	NAV	MATERIAL	THICKNESS	QTY

<p>All dimensions without tolerances are produced according to Jeremias internal tolerances</p> <p>All rights reserved</p>	Material inside/outside		Description		Weight	
	/		Uszczelka silikonowa (ark. 4/4)			kg
	drawn by	Date	Name	Code	Format	
	checked by	2015-09-09	JKA	DWECO 1704 Ø		A4
	checked by	2015-09-09	PSA	Production code		
checked by			Project	Sheet		
approved by	2015-09-09	JWY	Drawing no.	Revision	Type	
			215 - 1807	- 01	- 2P	

