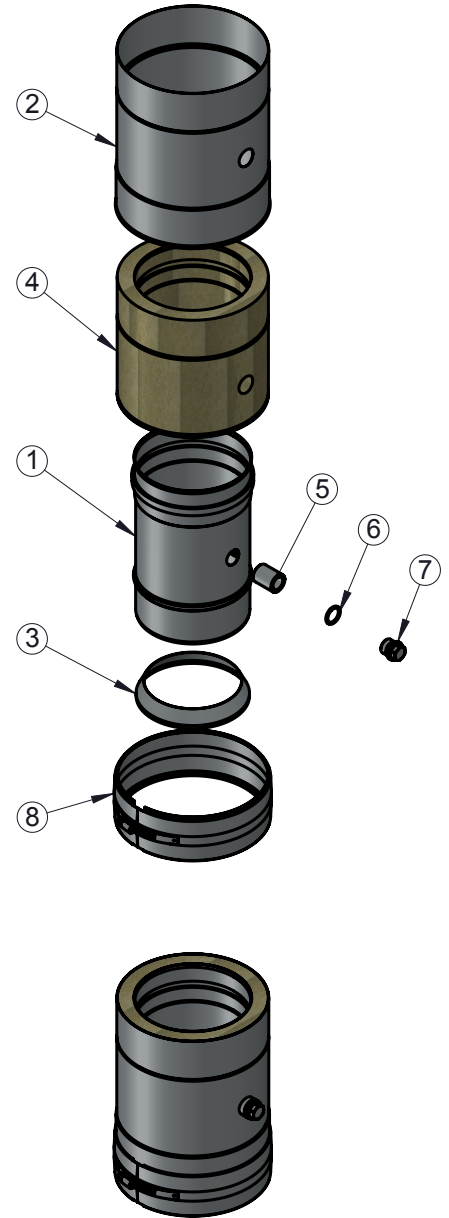
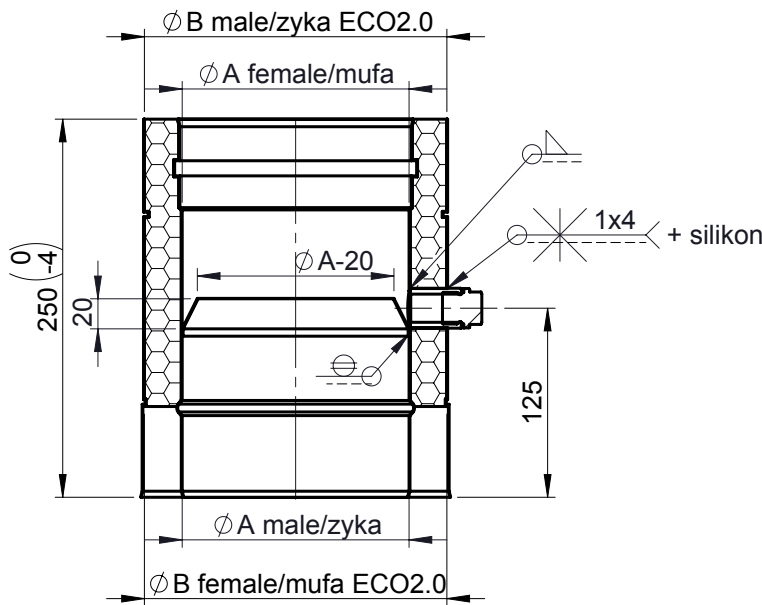


SECTION A-A
SCALE 1 : 5



ϕ	80	100	115	120	130	140	150	160	180	200	225	250	300	350	400	450	500	550	600
A	80	100	115	120	130	140	150	160	180	200	225	250	300	350	400	450	500	550	600
B	130	150	165	170	180	190	200	210	230	250	275	300	350	400	450	500	550	600	650

8	Obejma	DWeco2.0989 ϕ	-	-	1
7	Korek calowy GZ (DIN 910)	910C012Z_ _ _ _	4301	1/2"	1
6	Podkładka uszczelniająca CU (DIN 7603)	7603210X260X015CU	CU	ϕ 21x26x1,5	1
5	Mufa calowa GW (DIN 2986 G)	2986C012X034_ _ _ _	4301	1/2" L=34	1
4	ISO		welna mineralna 120kg/m3		1
3	rant ociekowy		1.4404 IIIC	0,6	1
2	DWA rura		1.4301 IIID	0,5	1
1	DWI rura		1.4404 IIIC	0,6	1
NO	NAME / DIN	NAV	MATERIAL	THICKNESS	QTY

<p>All dimensions without tolerances are produced according to Jeremias internal tolerances</p> <p>All rights reserved</p>	Material inside/outside		Description		Weight
	/		El. odwodnieniowy do montażu w pionie i poziomie		
	drawn by	Date	Name	Code	Format A4
	checked by	2015-10-19	JKA	DWECO2.0 1494 ϕ	
	checked by	2015-10-19	PSA	Production code	
checked by			Project	Sheet	
approved by	2015-10-19	JWY	Drawing no. 215 - 2156 - 00 - 2P	Revision	1 of 1