

A

B

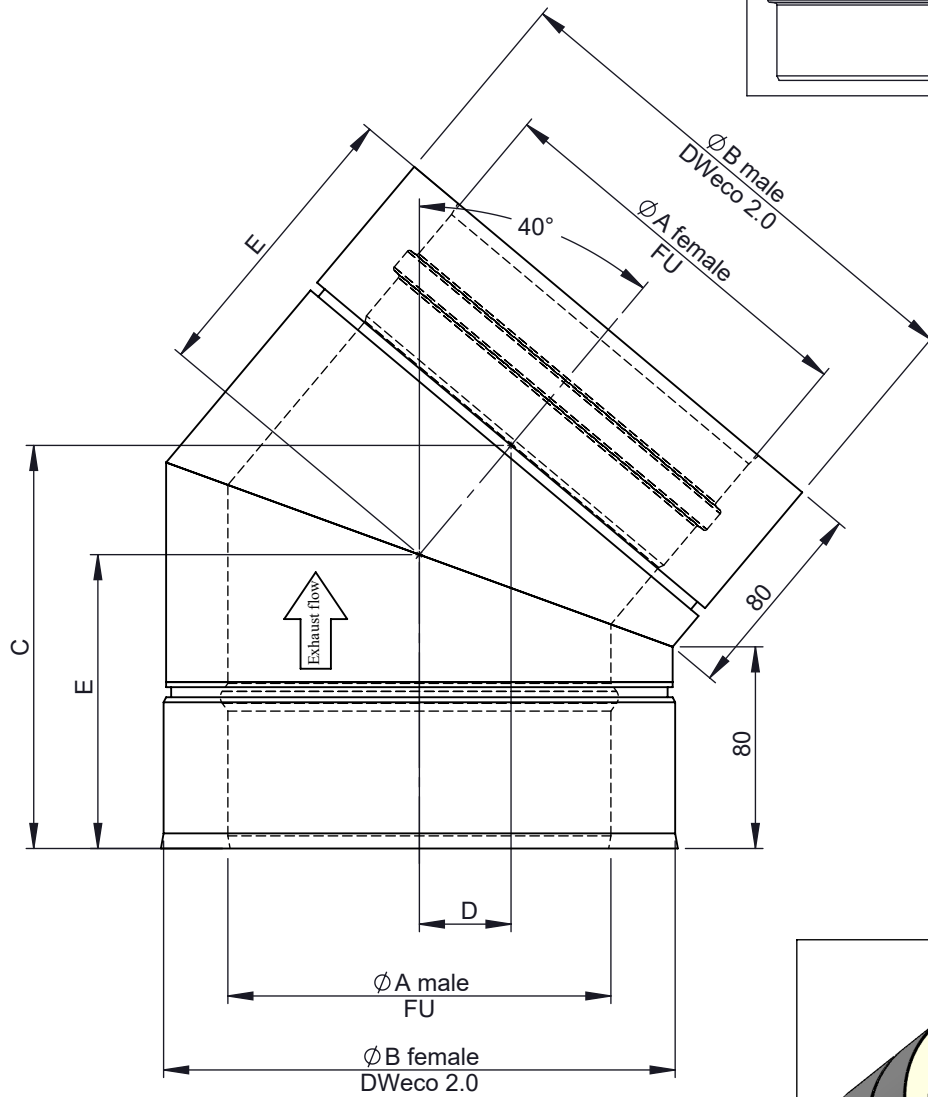
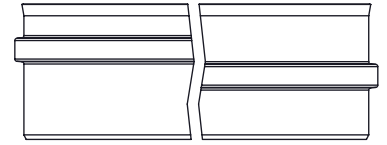
C

D

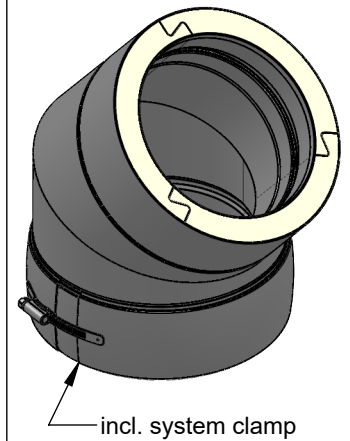
E

F

Possible type of female part "FU"



1:6 (150)



incl. system clamp

Ø	80	100	115	120	130	140	150	160	180	200	225	250	300	350	400	450	500	550	600
A	80	100	115	120	130	140	150	160	180	200	225	250	300	350	400	450	500	550	600
B	130	150	165	170	180	190	200	210	230	250	275	300	350	400	450	500	550	600	650
C	139	146	150	152	155	158	161	165	171	178	186	194	210	226	242	258	274	290	306
D	29	32	34	34	35	36	38	39	41	43	46	49	55	61	67	73	79	84	90
E	104	108	110	111	113	115	117	118	122	126	130	135	144	153	162	171	180	189	198
kg	1,08	1,32	1,5	1,56	1,69	1,82	1,95	2,09	2,37	2,66	3,05	3,46	4,33	5,83	6,98	8,21	9,53	10,95	12,44

notes:

ENCD

DIN ISO 13920 Tolerances B

revisions-no.

A1

mm / kg

date

name

drawn by

29.10.19

JMA

checked by

29.10.19

SWA

approved by

29.10.19

JWY

modified by

CHIMNEY SYSTEMS

description Elbow 40°

code 215-DWECO1382

drawing-no. 02-35-6090-000

scale

1:3

format

A4

sheet

1 of 1

