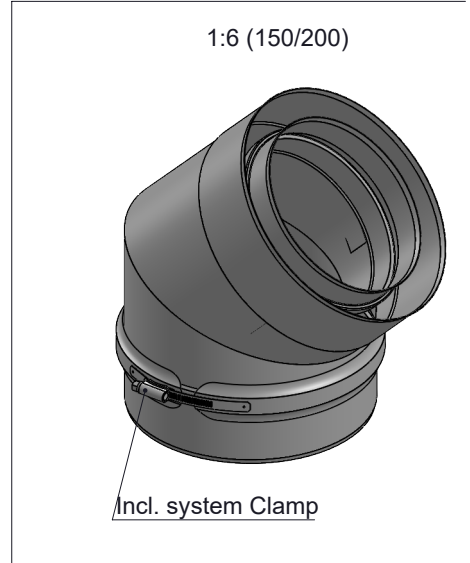
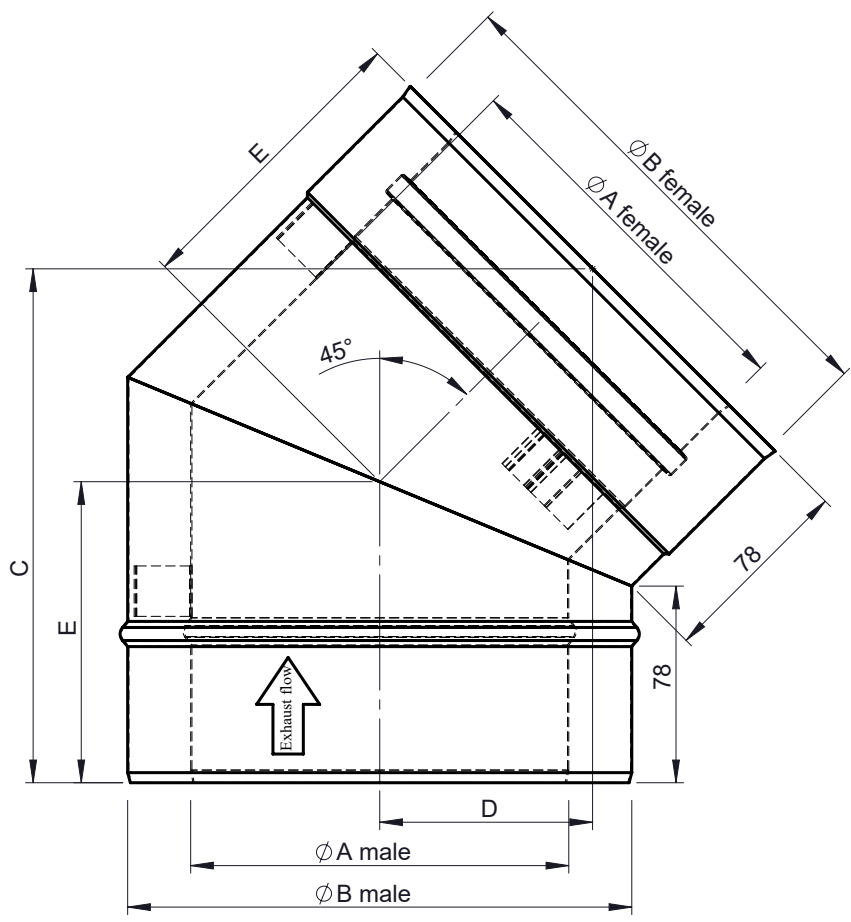
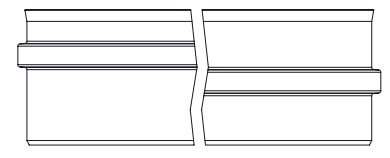



Possible type of female part "FU"



Ø	100/150	130/200	150/200
A	100	130	150
B	150	200	200
C	186	204	
D	77	84	
E	109	119	
kg	0,79	1,04	1,1

notes: ENCD	DIN ISO 13920 Tolerances B			 CHIMNEY SYSTEMS	scale
	revisions-no. A		mm / kg		1:6
	date	name	description		format
	drawn by	02.01.20	MSA		A4
	checked by	02.01.20	SWA		sheet
	approved by	02.01.20	JWY		1 of 1
modified by			code	H-TWIN 18 Ø	
			drawing-no.	01-03-03-6100-000	